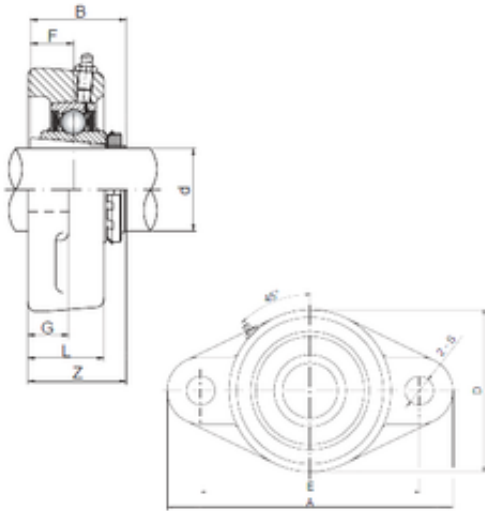




BEARING SUDAMERICANA, S.A.

60 mm x 155 mm x 65 mm ISO UKFL213
bearing units

Bearing No. UKFL213



UKFL213 Bearing 2D drawings and 3D CAD models

Bore Diameter	60 mm
Width	65 mm
d	60 mm
Z	64 mm
A	258 mm
B	65 mm
D	155 mm
E	210 mm
F	30 mm
G	22 mm
L	50 mm
S	23 mm
Bolt (G)	M20