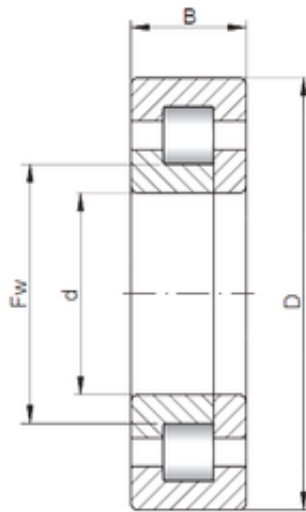




# BEARING SUDAMERICANA, S.A.



200 mm x 250 mm x 30 mm ISO NUP2840  
cylindrical roller bearings

Bearing No. NUP2840

|                |               |
|----------------|---------------|
| Size           | 200x250x30 mm |
| Bore Diameter  | 200 mm        |
| Outer Diameter | 250 mm        |
| Width          | 30 mm         |
| d              | 200 mm        |
| D              | 250 mm        |
| B              | 30 mm         |
| C              | 30 mm         |

NUP2840 Bearing 2D drawings and 3D CAD models