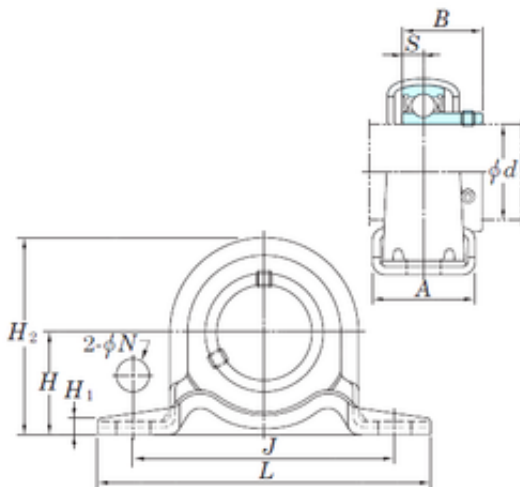




# BEARING SUDAMERICANA, S.A.

## KOYO SBPP202-10 bearing units

Bearing No. SBPP202-10



SBPP202-10 Bearing 2D drawings and 3D CAD models

Bore Diameter	15,875 mm
Width	22 mm
d	15,875 mm
A	25 mm
B	22 mm
H	22,2 mm
H1	3,2 mm
H2	43,8 mm
J	68 mm
L	86 mm
N	9,5 mm
S	6 mm
Bolt (G)	M8
Weight	0,16 Kg
Basic dynamic load rating (C)	9,55 kN
Basic static load rating (C0)	4,8 kN
Category	Bearings
Inventory	0.0
Manufacturer Name	KOYO
Minimum Buy Quantity	N/A
Weight / Kilogram	0
Product Group	M06110