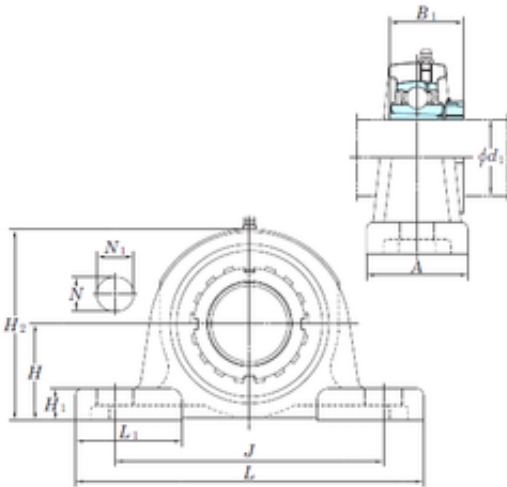




BEARING SUDAMERICANA, S.A.

KOYO UKPX05 bearing units

Bearing No. UKPX05



UKPX05 Bearing 2D drawings and 3D CAD models

Bore Diameter	20 mm
Width	44,4 mm
d	20 mm
A	51 mm
B1	35 mm
H	44,4 mm
H1	16 mm
H2	86 mm
J	119 mm
L	159 mm
L1	47 mm
N	17 mm
N1	25 mm
Bolt (G)	M14
Weight	1,5 Kg
Basic dynamic load rating (C)	19,5 kN
Basic static load rating (C0)	11,3 kN