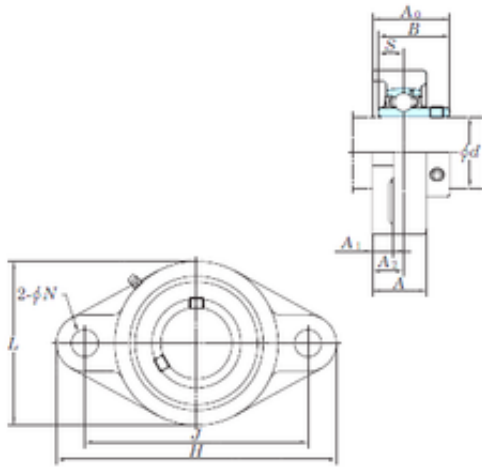




BEARING SUDAMERICANA, S.A.

KOYO UCFL320 bearing units

Bearing No. UCFL320



UCFL320 Bearing 2D drawings and 3D CAD models

Bore Diameter	100 mm
d	100 mm
A0	125 mm
A	94 mm
A1	40 mm
B	108 mm
H	440 mm
J	360 mm
L	270 mm
N	44 mm
S	42 mm
A2	59 mm
Weight	29,4 Kg
Basic static load rating (C0)	173 kN
Bearing No.	UCFL320
Bolt size	M39
Cr	173
C0r	141
f0	13.2
(Refer.)Unit mass(kg)	29.4
Nipple size	R1/8