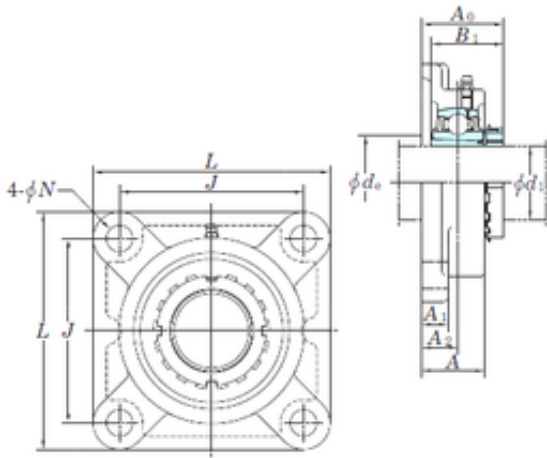




BEARING SUDAMERICANA, S.A.

KOYO UKFX07 bearing units

Bearing No. UKFX07



UKFX07 Bearing 2D drawings and 3D CAD models

Bore Diameter	30 mm
d	30 mm
A0	43,5 mm
d3	41 mm
A	38 mm
A1	14 mm
B1	43 mm
J	102 mm
L	130 mm
N	16 mm
Thread (G)	M14
A2	21 mm
Weight	2 Kg
Basic dynamic load rating (C)	29,1 kN
Basic static load rating (C0)	17,8 kN