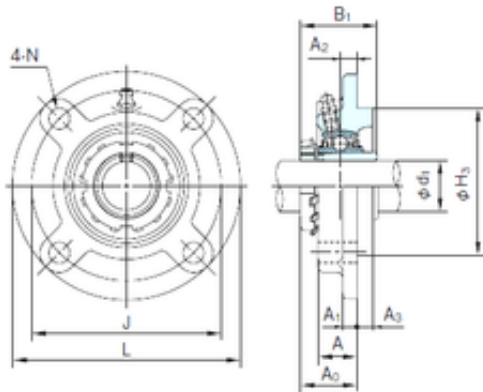




# BEARING SUDAMERICANA, S.A.

## NACHI UKFC218+H2318 bearing units



Bearing No. UKFC218+H2318

Bore Diameter	80 mm
d1	80 mm
H3	190 mm
A0	64.5 mm
A	50 mm
A1	20 mm
B1	86 mm
J	220 mm
L	265 mm
N	23 mm
Bolt (G)	M20
A2	22 mm
A3	18 mm

UKFC218+H2318 Bearing 2D drawings and 3D CAD models