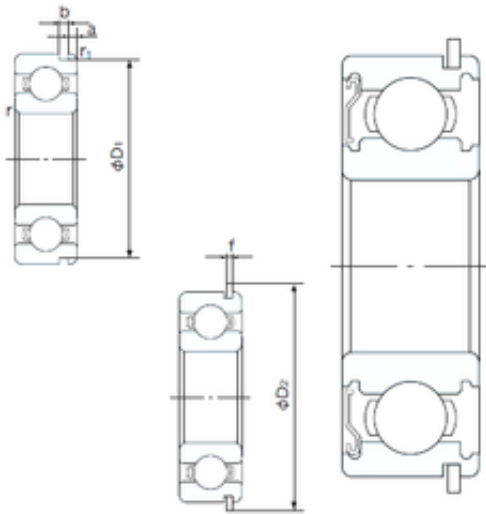




BEARING SUDAMERICANA, S.A.



50 mm x 65 mm x 7 mm NACHI 6810ZENR
deep groove ball bearings

Bearing No. 6810ZENR

6810ZENR Bearing 2D drawings and 3D CAD models

Size	50x65x7 mm
Bore Diameter	50 mm
Outer Diameter	65 mm
Width	7 mm
d	50 mm
D	65 mm
B	7 mm
C	7 mm
a	1.3 mm
b	0.95 mm
f	0.85 mm
r min.	0.3 mm
r1 min.	0.3 mm
D1	63.7 mm
D2	67.8 mm
Weight	0.054 Kg
Basic dynamic load rating (C)	6,4 kN
Basic static load rating (C0)	5,8 kN
(Grease) Lubrication Speed	10000 r/min
Enclosure	Single Shield with Snap Ring
Bore Type	Cylindrical Bore
Configuration	Single Row
Bore Size	50 mm
Outside Diameter	65 mm
Width	7 mm



BEARING SUDAMERICANA, S.A.

Fillet Radius/Chamfer	0.3 mm
r1	0.3 mm
Snap Ring Width	0.9 mm
Snap Ring Outside Diameter	67.8 mm
D1 (max)	63.7 mm
a (max)	1.3 mm
b (min)	1 mm
Dynamic Load Rating	6,400 N
Static Load Rating	5,800 N
Limiting Speed - Grease	10,000 rpm
Limiting Speed - Oil	12,000 rpm
Factor fo	16.1
Radial Clearance	0.006 to 0.023 mm
da (min)	52 mm
Da (max)	63 mm
Dx (min)	68.5 mm
ra (max)	0.3 mm
Cy (max)	1.8 mm