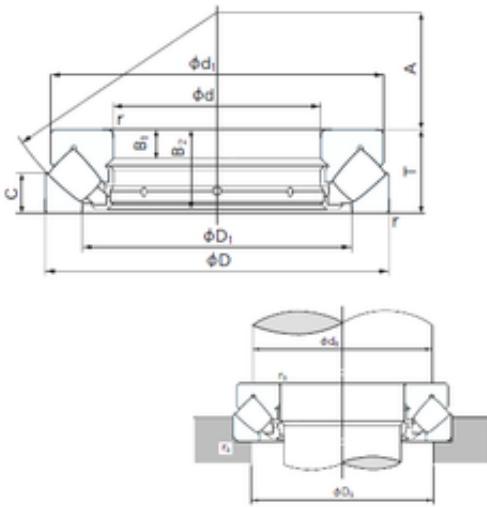




BEARING SUDAMERICANA, S.A.

480 mm x 650 mm x 33 mm NACHI 29296E thrust roller bearings

Bearing No. 29296E



29296E Bearing 2D drawings and 3D CAD models

Size	480x650x103 mm
Bore Diameter	480 mm
Outer Diameter	650 mm
Width	103 mm
d	480 mm
D	650 mm
T	103 mm
d1	635 mm
r min.	5 mm
A	259 mm
B1	33 mm
B2	99 mm
C	55 mm
D1	556 mm
da min.	555 mm
Da max.	595 mm
ra max.	4 mm
Weight	97.5 Kg
Basic dynamic load rating (C)	2530 kN
Basic static load rating (C0)	13200 kN
Bore Type	Cylindrical Bore
Enclosure	Open
Configuration	Single Row
Bore Size	480 mm
Outside Diameter	650 mm



BEARING SUDAMERICANA, S.A.

Fillet Radius/Chamfer	5 mm
Width	103 mm
Dynamic Load Rating	2,530,000 N
Static Load Rating	13,200,000 N
Limiting Speed - Oil	600 rpm
B	33 mm
da (min)	555 mm
Da (max)	595 mm
ra (max)	4 mm