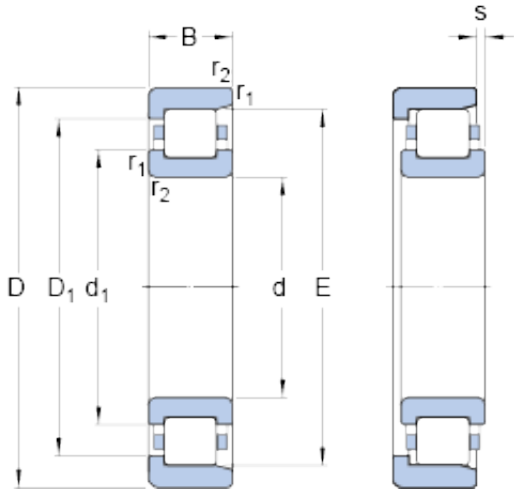




# BEARING SUDAMERICANA, S.A.



380 mm x 480 mm x 40 mm SKF BC1B 322770 A/HB1 thrust ball bearings

Bearing No. BC1B 322770 A/HB1

BC1B 322770 A/HB1 Bearing 2D drawings and 3D CAD models

Size	480x380x40 mm
Bore Diameter	480 mm
Outer Diameter	380 mm
Width	40 mm
d	380 mm
D	480 mm
B	40 mm
d <sub>1</sub>	418 mm
D <sub>1</sub>	444 mm
E	451 mm
r <sub>1,2</sub> - min.	2.1 mm
s	2 mm
d <sub>a</sub> - min.	392 mm
D <sub>a</sub> - max.	468 mm
D <sub>b</sub> - min.	456 mm
r <sub>a</sub> - max.	2 mm
Basic dynamic load rating - C	270 kN
Basic static load rating - C <sub>0</sub>	520 kN
Fatigue load limit - P <sub>u</sub>	42.5 kN
Reference speed	1100 r/min
Limiting speed	1300 r/min
Calculation factor - k <sub>r</sub>	0.03
d <sub>1</sub>	418 mm
D <sub>1</sub>	444 mm



## BEARING SUDAMERICANA, S.A.

$r_{1,2}$ min.	2.1 mm
s max.	2 mm
$d_a$ min.	392 mm
$D_a$ max.	468 mm
$D_b$ min.	456 mm
$r_a$ max.	2 mm
Basic dynamic load rating C	270 kN
Basic static load rating $C_0$	520 kN
Fatigue load limit $P_u$	42.5 kN
Calculation factor $k_r$	0.03
Limiting value e	0.2
Axial load factor Y	0.6
Mass bearing	18.5 kg