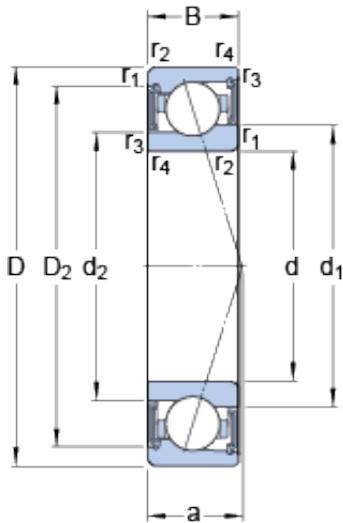




BEARING SUDAMERICANA, S.A.

40 mm x 62 mm x 12 mm SKF S71908 CE/P4A
angular contact ball bearings

Bearing No. S71908 CE/P4A



S71908 CE/P4A Bearing 2D drawings and 3D CAD models

Size	62x40x12 mm
Bore Diameter	62 mm
Outer Diameter	40 mm
Width	12 mm
d	40 mm
D	62 mm
B	12 mm
d ₁	46.5 mm
d ₂	44.8 mm
D ₂	56.5 mm
r _{1,2} - min.	0.6 mm
r _{3,4} - min.	0.3 mm
a	13.2 mm
d _a - min.	43.2 mm
d _a - max.	46.1 mm
d _b - min.	42 mm
d _b - max.	44.4 mm
D _a - max.	58.8 mm
D _b - max.	60 mm
r _a - max.	0.6 mm
r _b - max.	0.3 mm
Basic dynamic load rating - C	9.8 kN
Basic static load rating - C ₀	6.1 kN
Fatigue load limit - P _u	0.26 kN



BEARING SUDAMERICANA, S.A.

Limiting speed for grease lubrication	32000 r/min
Ball - D_w	6.35 mm
Ball - z	19
Calculation factor - f_0	8.3
Preload class A - G_A	52 N
Preload class B - G_B	157 N
Preload class C - G_C	315 N
Calculation factor - f	1.05
Calculation factor - f	1
Calculation factor - f_{2A}	1
Calculation factor - f_{2B}	1.04
Calculation factor - f_{2C}	1.08
Calculation factor - f_{HC}	1
Preload class A	32 N/micron
Preload class B	49 N/micron
Preload class C	67 N/micron
d_1	46.5 mm
d_2	44.8 mm
D_2	56.5 mm
$r_{1,2}$ min.	0.6 mm
$r_{3,4}$ min.	0.3 mm
d_a min.	43.2 mm
d_a max.	46.1 mm
d_b min.	42 mm
d_b max.	44.4 mm
D_a max.	58.8 mm
D_b max.	60 mm
r_a max.	0.6 mm
r_b max.	0.3 mm
Basic dynamic load rating C	9.75 kN



BEARING SUDAMERICANA, S.A.

Basic static load rating C_0	6.1 kN
Fatigue load limit P_u	0.26 kN
Attainable speed for grease lubrication	32000 r/min
Ball diameter D_w	6.35 mm
Number of balls z	19
Preload class A G_A	52 N
Static axial stiffness, preload class A	32 N/ μ m
Preload class B G_B	157 N
Static axial stiffness, preload class B	49 N/ μ m
Preload class C G_C	315 N
Static axial stiffness, preload class C	67 N/ μ m
Calculation factor f	1.05
Calculation factor f_1	1
Calculation factor f_{2A}	1
Calculation factor f_{2B}	1.04
Calculation factor f_{2C}	1.08
Calculation factor f_{HC}	1
Calculation factor f_0	8.3
Mass bearing	0.11 kg