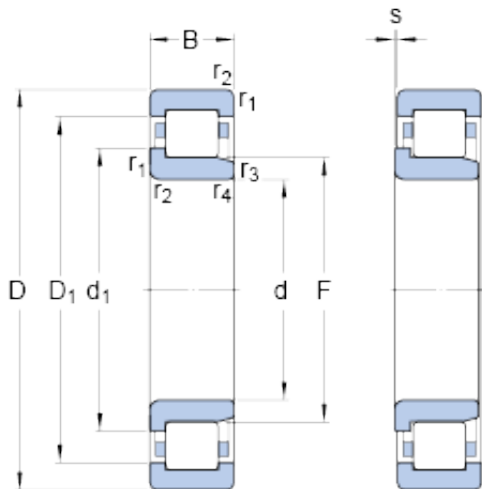




BEARING SUDAMERICANA, S.A.



65 mm x 120 mm x 23 mm SKF NJ 213 ECJ thrust ball bearings

Bearing No. NJ 213 ECJ

NJ 213 ECJ Bearing 2D drawings and 3D CAD models

Size	120x65x23 mm
Bore Diameter	120 mm
Outer Diameter	65 mm
Width	23 mm
d	65 mm
D	120 mm
B	23 mm
d ₁	84.4 mm
D ₁	103.2 mm
F	78.5 mm
r _{1,2} - min.	1.5 mm
r _{3,4} - min.	1.5 mm
s	1.4 mm
d _a - min.	74 mm
d _a - max.	76 mm
d _b - min.	87 mm
D _a - max.	110.6 mm
r _a - max.	1.5 mm
Basic dynamic load rating - C	122 kN
Basic static load rating - C ₀	118 kN
Fatigue load limit - P _u	15.6 kN
Reference speed	6300 r/min
Limiting speed	6700 r/min
Calculation factor - k _r	0.15



BEARING SUDAMERICANA, S.A.

Category	Cylindrical Roller Bearings
Inventory	0.0
Manufacturer Name	SKF
Minimum Buy Quantity	N/A
Weight / Kilogram	1.135
EAN	7316577747983
Product Group	B04144
Bore Profile	Straight
Cage Material	Steel
Precision Class	RBEC 1 ISO P0
Number of Rows of Rollers	Single Row
Separable	Inner Ring - One Side
Rolling Element	Cylindrical Roller Bearing
Profile	Complete with Outer and Inner Ring
Snap Ring	No
Internal Clearance	C0-Medium
Retainer	Yes
Relubricatable	Yes
Inch - Metric	Metric
Other Features	High Capacity 1 Rib Inner Ring 2 Rib Outer Ring Cage on Outer Ring ID
Long Description	65MM Bore; Straight Bore Profile; 120MM Outside Diameter; 23MM Width; Steel Cage Material; RBEC 1 ISO P0; Single Row; Inner Ring - One Side Separable; No Snap Ring; Relubricatable; C0-Medium Intern
Category	Cylindrical Roller Bearing
UNSPSC	31171547
Harmonized Tariff Code	8482.50.00.00
Noun	Bearing



BEARING SUDAMERICANA, S.A.

Manufacturer URL	http://www.skf.com
Manufacturer Item Number	NJ 213 ECJ
Weight / LBS	2.5
Bore	2.559 Inch 65 Millimeter
Outside Diameter	4.724 Inch 120 Millimeter
Width	0.906 Inch 23 Millimeter
bore diameter:	65 mm
static load capacity:	118 kN
outside diameter:	120 mm
precision rating:	Not Rated
overall width:	23 mm
maximum rpm:	6700 RPM
flanges:	(2) Outer Ring, (1) Inner Ring
bearing material:	Steel
bore type:	Straight
cage material:	Steel
number of rows:	1
finish/coating:	Uncoated
internal clearance:	C0
closure type:	Open
ring separation:	Separable Ring
outer ring width:	23 mm
operating temperature range:	Maximum of +300 ° F
fillet radius:	1.5 mm
dynamic load capacity:	122 kN
series:	NJ2
d ₁	84.4 mm
D ₁	103.2 mm
r _{1,2} min.	1.5 mm
r _{3,4} min.	1.5 mm
s max.	1.4 mm



BEARING SUDAMERICANA, S.A.

d_a min.	74 mm
d_a max.	76 mm
d_b min.	87 mm
D_a max.	110.6 mm
r_a max.	1.5 mm
Basic dynamic load rating C	122 kN
Basic static load rating C_0	118 kN
Fatigue load limit P_u	15.6 kN
Calculation factor k_r	0.15
Limiting value e	0.2
Axial load factor Y	0.6
Mass bearing	1.1 kg
Angle ring	HJ 213 EC