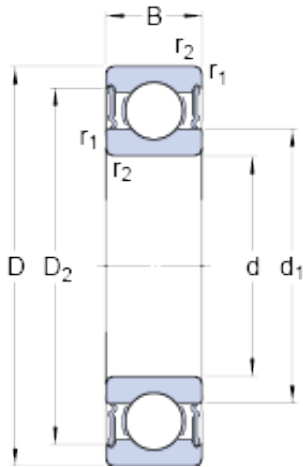




BEARING SUDAMERICANA, S.A.



19.05 mm x 41.275 mm x 11.113 mm SKF D/W
R12-2RS1 deep groove ball bearings

Bearing No. D/W R12-2RS1

D/W R12-2RS1 Bearing 2D drawings and 3D CAD models

Size	41.275x19.05x11.113 mm
Bore Diameter	41,275 mm
Outer Diameter	19,05 mm
Width	11,113 mm
d	19.05 mm
D	41.275 mm
B	11.113 mm
d ₁	27.6 mm
D ₂	37.43 mm
r _{1,2} - min.	0.8 mm
d _a - min.	24.5 mm
D _a - max.	37.5 mm
r _a - max.	0.8 mm
Basic dynamic load rating - C	8.1 kN
Basic static load rating - C ₀	5 kN
Fatigue load limit - P _u	0.212 kN
Limiting speed	11000 r/min
Calculation factor - k _r	0.03
Calculation factor - f ₀	13.9
d ₁	27.6 mm
D ₂	37.43 mm
r _{1,2} min.	0.8 mm
d _a min.	24 mm
d _a max.	27.5 mm



BEARING SUDAMERICANA, S.A.

D_a max.	37.5 mm
r_a max.	0.8 mm
Basic dynamic load rating C	8.06 kN
Basic static load rating C_0	5 kN
Fatigue load limit P_u	0.212 kN
Calculation factor k_r	0.03
Calculation factor f_0	13.9
Mass bearing	0.06 kg